

# Answers

## Sunflowers

1  $122\text{cm} + 7\text{cm} = 129\text{cm}$

2  $164\text{cm} + 5\text{cm} = 169\text{cm}$

3  $137\text{cm} + 9\text{cm} = 146\text{cm}$

4  $123\text{cm} + 7\text{cm} = 130\text{cm}$

5  $173\text{cm} + 8\text{cm} = 181\text{cm}$

6  $116\text{cm} + 7\text{cm} = 123\text{cm}$

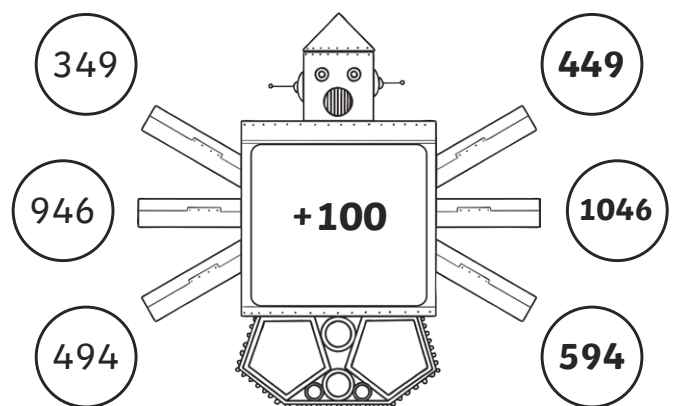
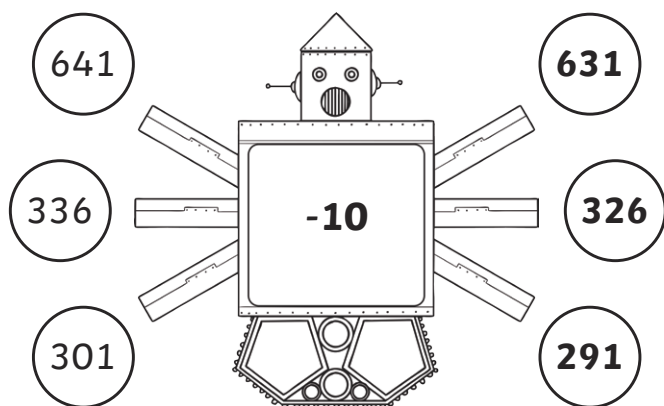
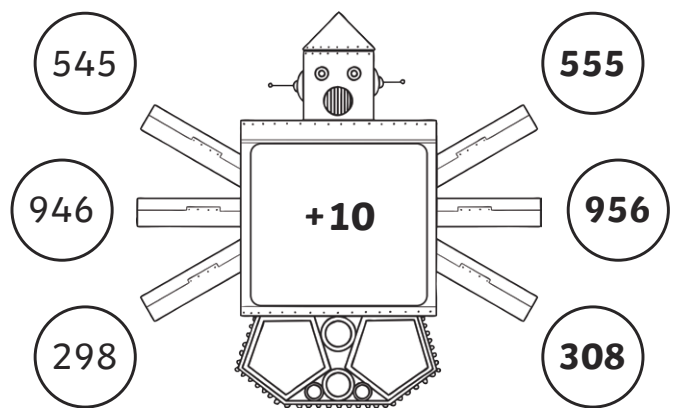
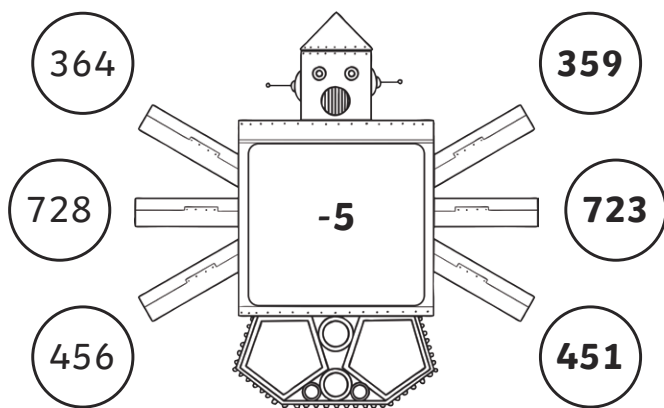
7  $155\text{cm} + 6\text{cm} = 161\text{cm}$

8  $198\text{cm} + 7\text{cm} = 205\text{cm}$

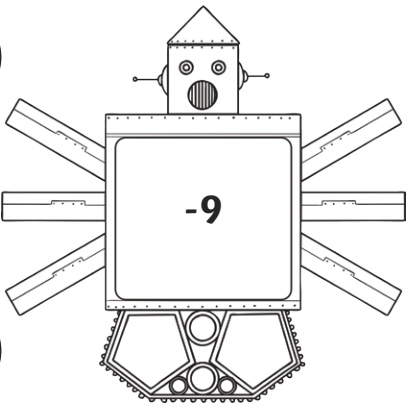
9  $192\text{cm} + 9\text{cm} = 201\text{cm}$

10  $298\text{cm} + 9\text{cm} = 307\text{cm}$

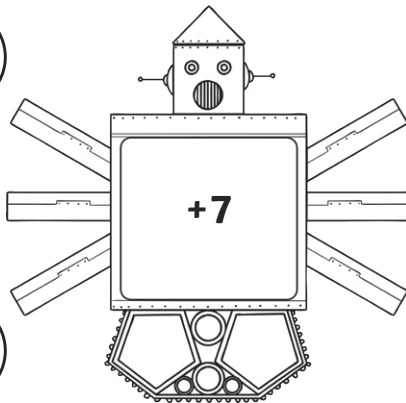
## Maths Machines



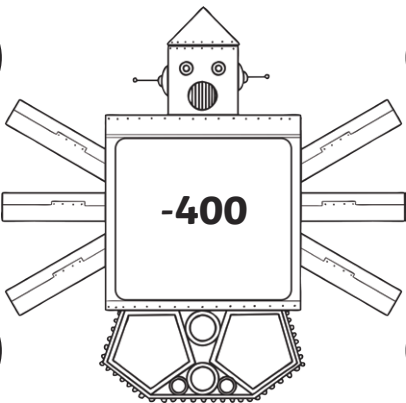
# Answers



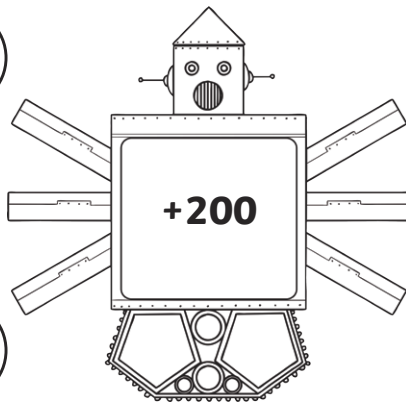
648      639  
137      128  
206      197



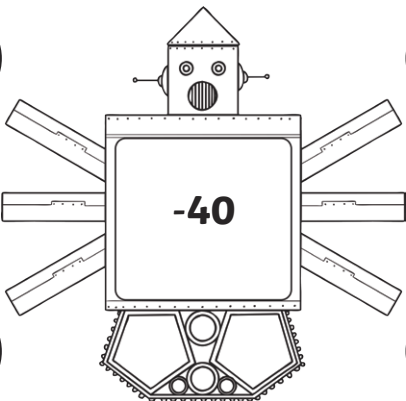
647      654  
382      389  
658      665



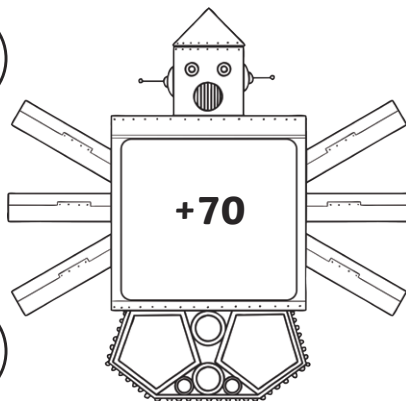
649      249  
936      536  
438      38



164      364  
642      842  
872      1072



794      754  
639      599  
267      227



643      713  
701      771  
976      1046

# Answers

## Mark's Homework

---

### without regrouping

$$\begin{array}{r} 273 \\ + 514 \\ \hline 787 \end{array}$$

$$\begin{array}{r} 451 \\ + 225 \\ \hline 676 \end{array}$$

$$\begin{array}{r} 304 \\ + 463 \\ \hline 767 \end{array}$$

$$\begin{array}{r} 615 \\ + 172 \\ \hline 787 \end{array}$$

$$\begin{array}{r} 153 \\ + 716 \\ \hline 869 \end{array}$$

$$\begin{array}{r} 805 \\ + 102 \\ \hline 907 \end{array}$$

$$\begin{array}{r} 572 \\ + 213 \\ \hline 785 \end{array}$$

$$\begin{array}{r} 531 \\ + 267 \\ \hline 798 \end{array}$$

### out regrouping

$$\begin{array}{r} 323 \\ + 518 \\ \hline 841 \\ 1 \end{array}$$

$$\begin{array}{r} 607 \\ + 228 \\ \hline 835 \\ 1 \end{array}$$

$$\begin{array}{r} 507 \\ + 463 \\ \hline 970 \\ 1 \end{array}$$

$$\begin{array}{r} 319 \\ + 142 \\ \hline 461 \\ 1 \end{array}$$

$$\begin{array}{r} 257 \\ + 706 \\ \hline 963 \\ 1 \end{array}$$

$$\begin{array}{r} 505 \\ + 109 \\ \hline 614 \\ 1 \end{array}$$

$$\begin{array}{r} 672 \\ + 243 \\ \hline 915 \\ 1 \end{array}$$

$$\begin{array}{r} 591 \\ + 367 \\ \hline 958 \\ 1 \end{array}$$

# Answers

## The Bakery

---

- How many muffins were made altogether on Monday?  
**560**
- How many blueberry muffins were made altogether on Monday and Tuesday?  
**585**
- There were more muffins produced on Thursday than Wednesday. Is this correct?  
**Wednesday: 1107**  
**Thursday: 1062**  
**No**
- How many chocolate muffins were made altogether on Wednesday and Thursday?  
**864**

## Column Subtraction

---

### Column subtraction without exchanging

$$\begin{array}{r} 569 \\ - 315 \\ \hline 254 \end{array}$$

$$\begin{array}{r} 346 \\ - 125 \\ \hline 221 \end{array}$$

$$\begin{array}{r} 774 \\ - 453 \\ \hline 321 \end{array}$$

$$\begin{array}{r} 652 \\ - 420 \\ \hline 232 \end{array}$$

$$\begin{array}{r} 628 \\ - 305 \\ \hline 323 \end{array}$$

$$\begin{array}{r} 573 \\ - 512 \\ \hline 61 \end{array}$$

$$\begin{array}{r} 832 \\ - 232 \\ \hline 600 \end{array}$$

$$\begin{array}{r} 599 \\ - 467 \\ \hline 132 \end{array}$$

# Answers

## Column subtraction with exchanging

$$\begin{array}{r} 4 \quad \overset{4}{\cancel{5}} \quad \overset{1}{1} \\ - 2 \quad 1 \quad 8 \\ \hline 2 \quad 3 \quad 3 \end{array}$$

$$\begin{array}{r} 8 \quad \overset{3}{\cancel{4}} \quad \overset{1}{0} \\ - 5 \quad 2 \quad 5 \\ \hline 3 \quad 1 \quad 5 \end{array}$$

$$\begin{array}{r} 4 \quad \overset{6}{\cancel{7}} \quad \overset{1}{2} \\ - 2 \quad 3 \quad 8 \\ \hline 2 \quad 3 \quad 4 \end{array}$$

$$\begin{array}{r} 4 \quad \overset{7}{\cancel{8}} \quad \overset{1}{1} \\ - 3 \quad 2 \quad 3 \\ \hline 1 \quad 5 \quad 8 \end{array}$$

$$\begin{array}{r} 6 \quad \overset{8}{\cancel{9}} \quad \overset{1}{0} \\ - 5 \quad 2 \quad 6 \\ \hline 1 \quad 6 \quad 4 \end{array}$$

$$\begin{array}{r} 7 \quad \overset{1}{\cancel{2}} \quad \overset{1}{6} \\ - 4 \quad 1 \quad 9 \\ \hline 3 \quad 0 \quad 7 \end{array}$$

$$\begin{array}{r} 3 \quad \overset{1}{\cancel{4}} \quad 2 \quad 7 \\ - 2 \quad 3 \quad 3 \\ \hline 1 \quad 9 \quad 4 \end{array}$$

$$\begin{array}{r} 4 \quad \overset{1}{\cancel{5}} \quad 1 \quad 9 \\ - 4 \quad 5 \quad 0 \\ \hline 6 \quad 9 \end{array}$$

## Sahara Subtraction

Camel	Length of journey (miles)	Distance travelled so far (miles)	Remaining length of journey (miles)
Camel A	329	217	<b>112</b>
Camel B	724	318	<b>406</b>
Camel C	563	427	<b>136</b>
Camel D	826	472	<b>354</b>
Camel E	639	453	<b>186</b>

## Problem Solving

- 365 tickets**
- 420**
- 404 - 248 = 156**
- 816 pennies**